

INSTALLATION INSTRUCTIONS

MODELS D1040, D1041, D1042, AND D1043 DAISY MODEL PASS-THRU





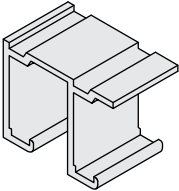
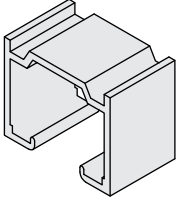

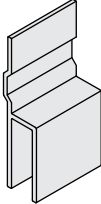
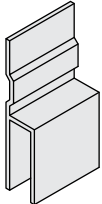
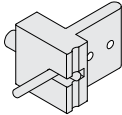

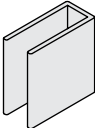
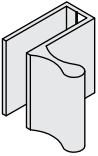
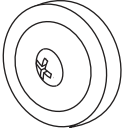
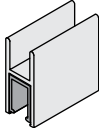
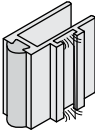
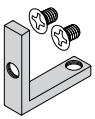
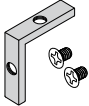
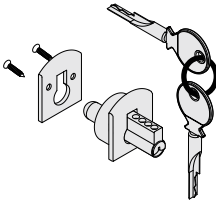



2503 E. Vernon Avenue, Los Angeles, CA 90058-1826
Phone: (800) 421-6144 Fax: (800) 262-3299
crlaurence.com Email: transaction@crlaurence.com

11M0222

PARTS LIST

NOTE: Counter by Others

<p>D1040</p>  <p>Daisy with D4 Overhead Track and D606 Jambs</p>	<p>D1041</p>  <p>Daisy with D6 Overhead Track and D606 Jambs</p>	<p>D1042</p>  <p>Daisy with D4 Overhead Track and No Jambs</p>	<p>D1043</p>  <p>Daisy with D6 Overhead Track and No Jambs</p>
<p>D4</p>  <p>Open Back Double Overhead Track</p>	<p>D6</p>  <p>Enclosed Double Overhead Track</p>	<p>D35</p>  <p>Retractable Tip Lower Guide</p>	<p>D40</p>  <p>Top Door Rail Clerk</p>
<p>D41</p>  <p>Top Door Rail Client</p>	<p>D52</p>  <p>Spring Loaded Catch</p>	<p>D606</p>  <p>Single Jamb with Cushion</p>	<p>D623</p>  <p>Single Channel Stile</p>
<p>D639</p>  <p>Vertical Stile Pull</p>	<p>D679</p>  <p>Nylon Ball Bearing Roller</p>	<p>D1611</p>  <p>H-Bar with Plastic Liner</p>	<p>D1623</p>  <p>Overlap Stile with Pile</p>
<p>D658WS</p>  <p>Lower Frame Corner with Nylok Screws</p>	<p>D662WS</p>  <p>Upper Frame Corner with Nylok Screws</p>	 <p>Optional Keyed Lock</p>	<p>Not Included : Perimeter Fasteners</p> 

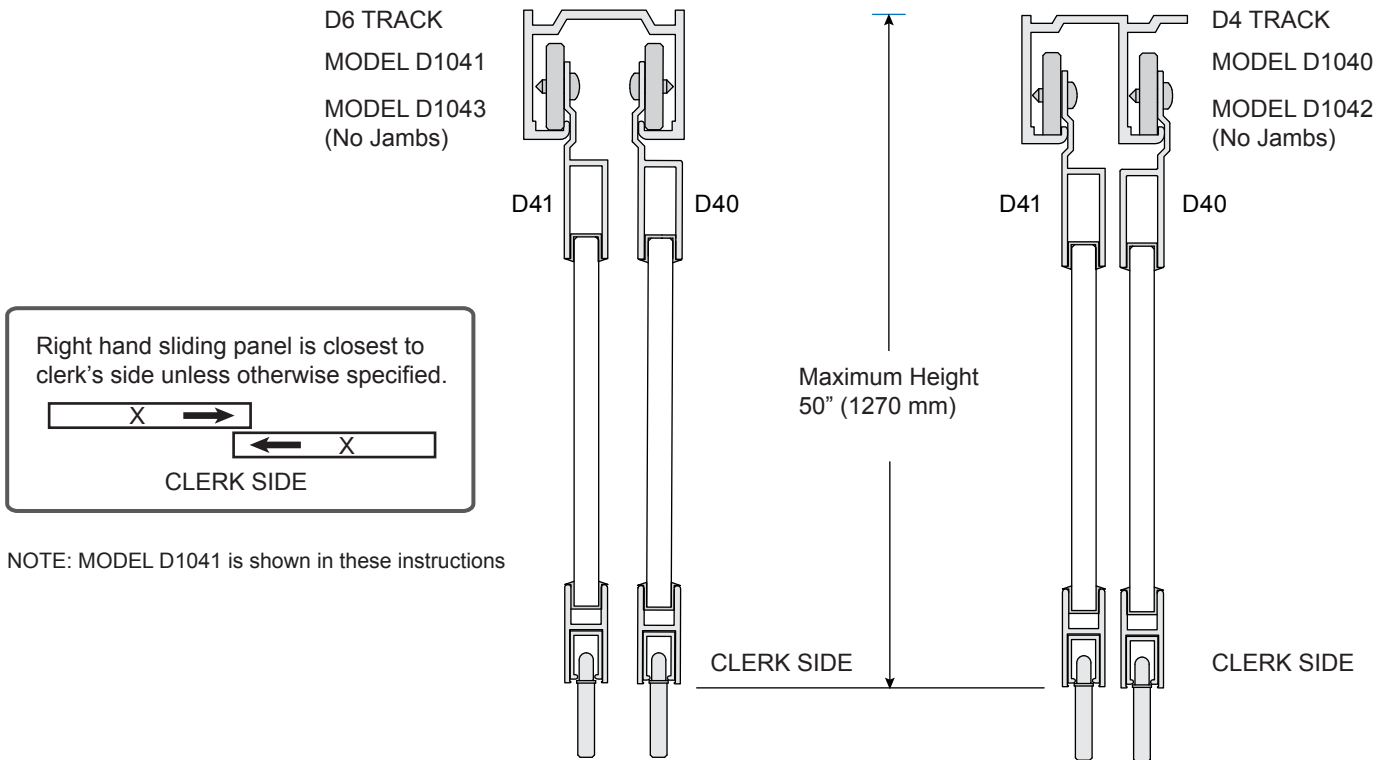
ORDER OF ASSEMBLY AND INSTALLATION

PARTS LIST	2
SPECIFICATIONS	3
GLASS FABRICATION	4
WINDOW ASSEMBLY	4
Install Gasket on Glass	4 - 5
Fit Glass in Bottom Rail	5
Loosely attach Top Rail to Side Rails	5
Square the frames and secure	5
Install Gasket in D1623	5
INSTALLATION	6 - 8
Install Overhead Track	6
Hang Windows	6
Install Retractable Guides	7
Install Optional Jambs	7
Install D52 Catch	8
OPTIONAL KEYED LOCK OPERATION	9

IMPORTANT: READ THIS MANUAL THOROUGHLY BEFORE BEGINNING INSTALLATION.

SPECIFICATIONS

NOTE: Models D1041 and D1043 are designed for pass-thru applications and Models D1040 and D1042 are designed for showcase applications.



GLASS FABRICATION

Models D1040 and D1041 with Jambs:

Glass Width = Window Width divided by 2 minus 1-1/4" (32 mm)

Glass Height = Window Height minus 3-3/16" (81 mm)

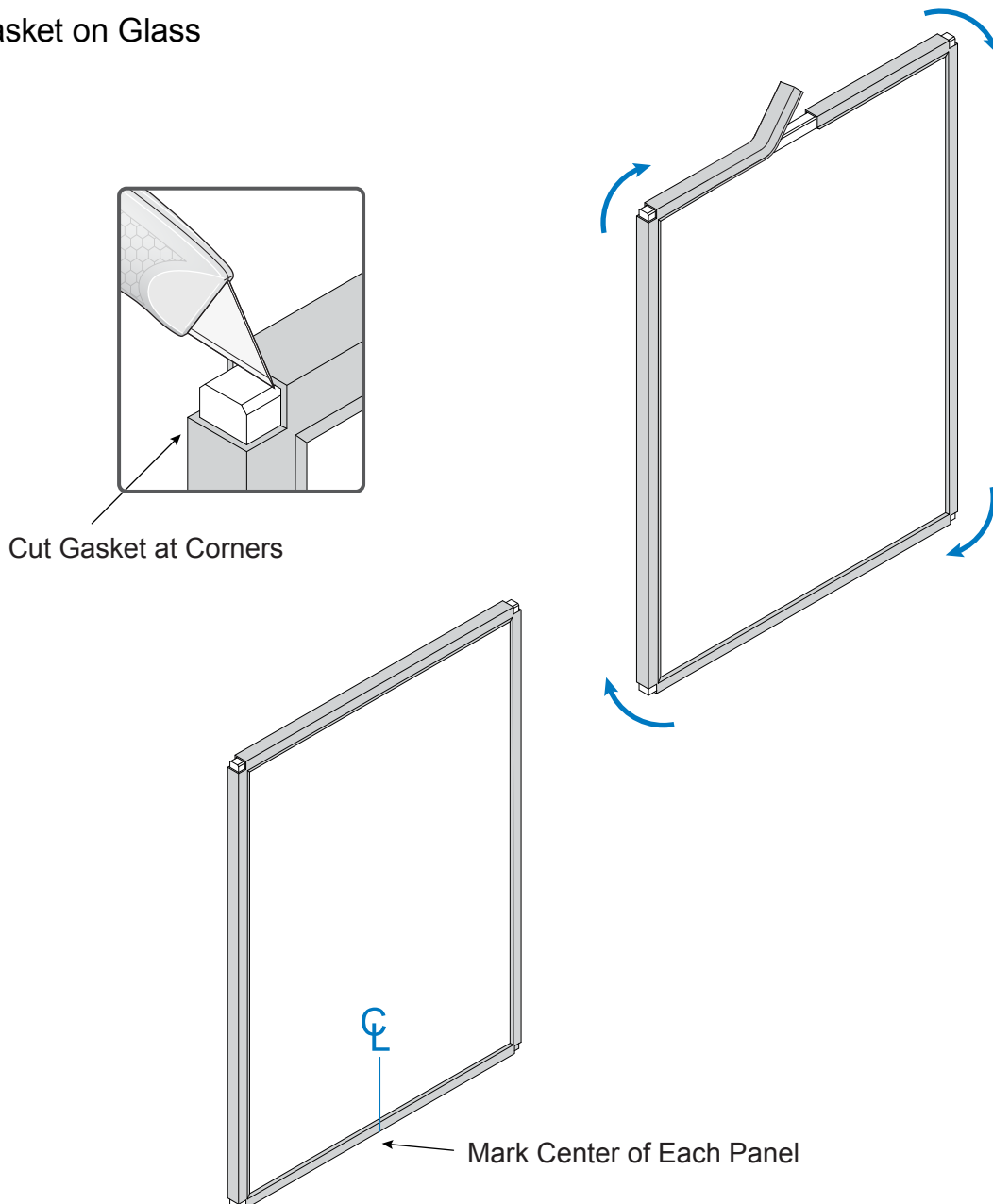
Models D1042 and D1043 without Jambs:

Glass Width = Window Width divided by 2 minus 1" (25 mm)

Glass Height = Window Height minus 3-3/16" (81 mm)

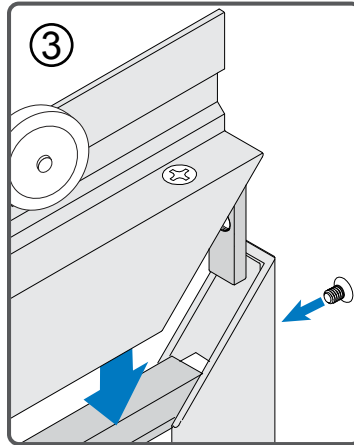
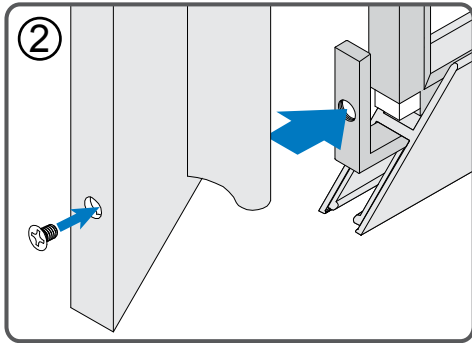
WINDOW ASSEMBLY

1. Install Gasket on Glass



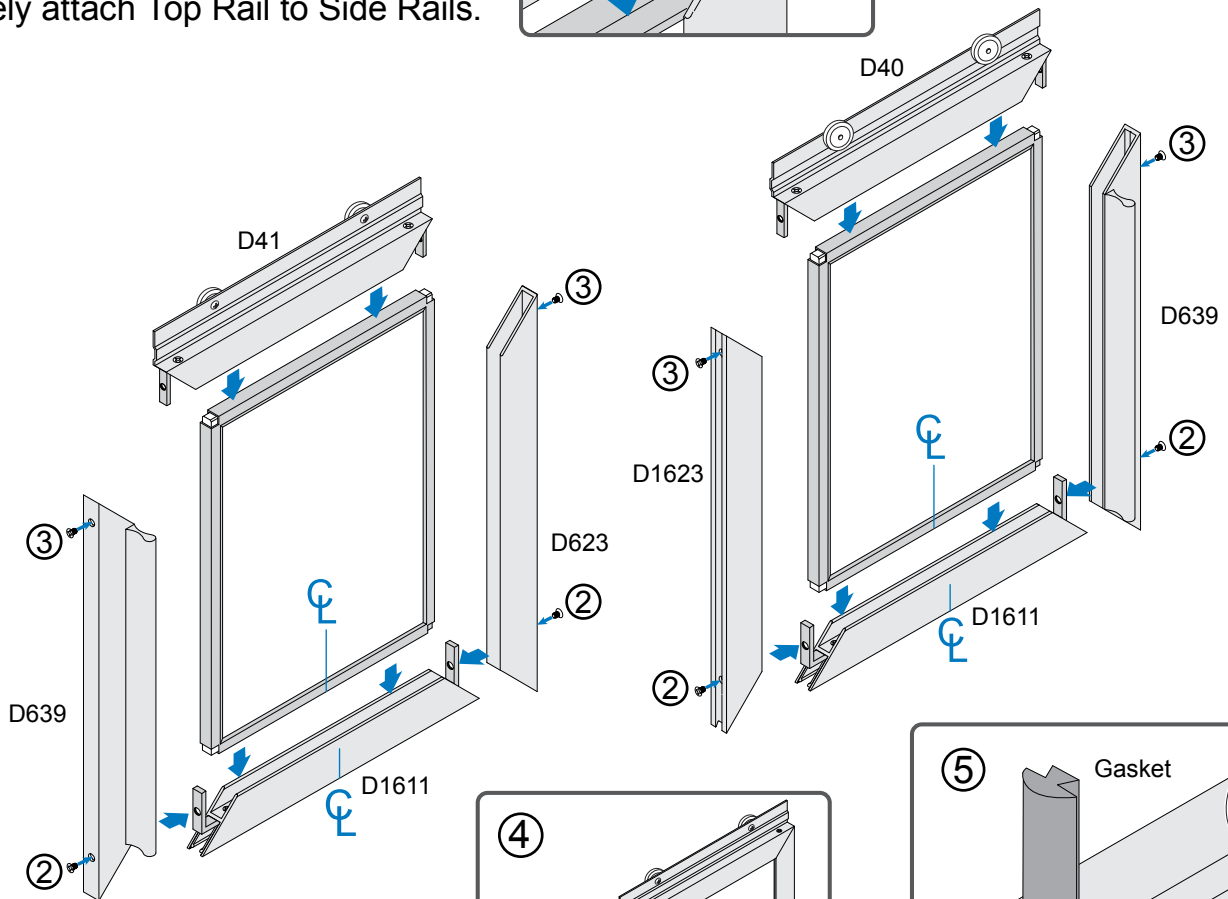
WINDOW ASSEMBLY (CONTINUED)

2. Fit Glass in Bottom Rail matching center marks and loosely attach Side Rails.



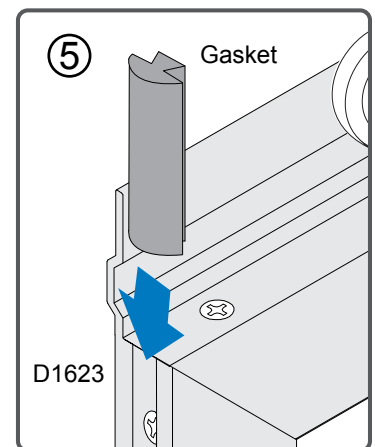
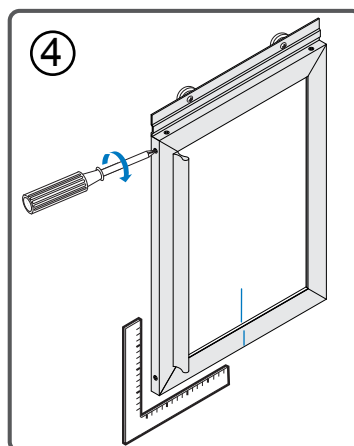
NOTE: Match the color-coded dots on the corners of the rails.

3. Loosely attach Top Rail to Side Rails.



4. Square the frames and secure.

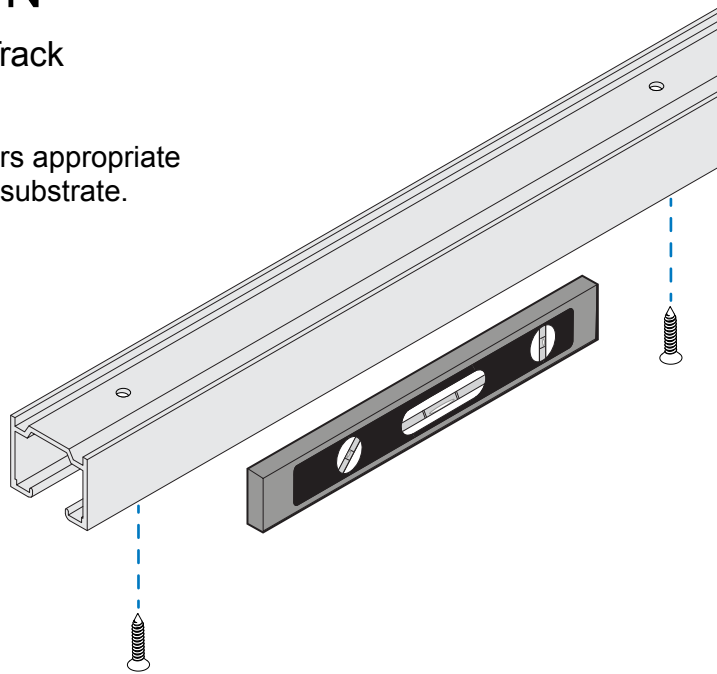
5. Install Gasket in D1623.



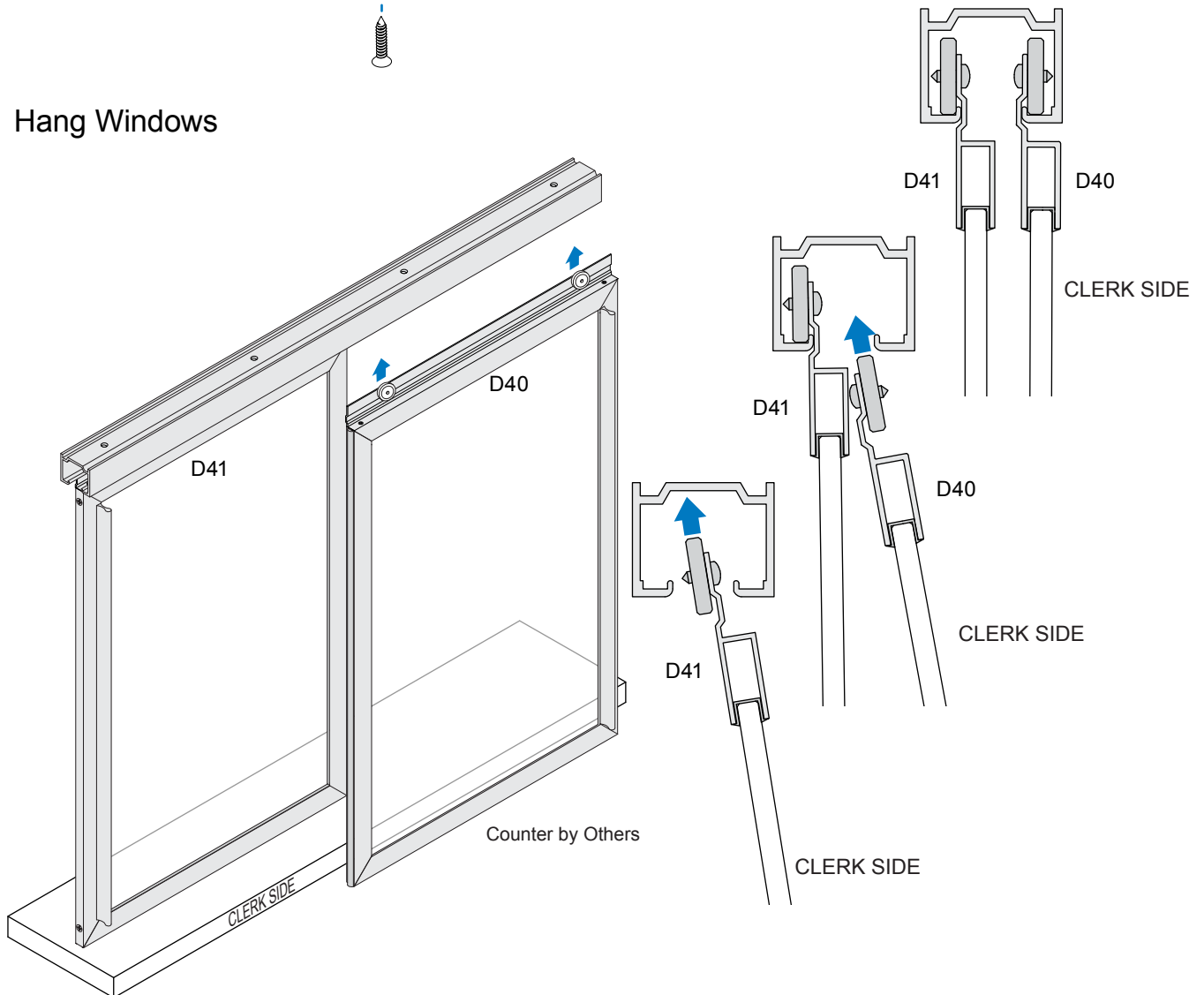
INSTALLATION

1. Install Overhead Track

NOTE: Use fasteners appropriate for the surrounding substrate.

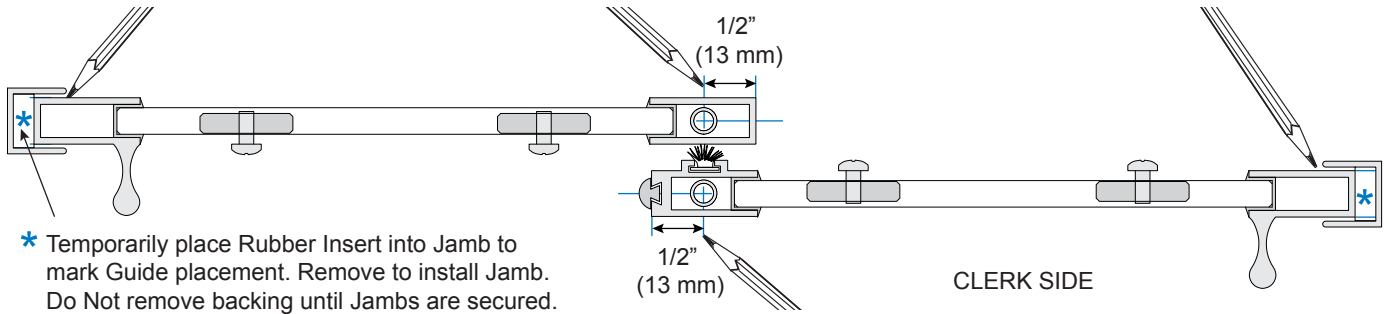


2. Hang Windows

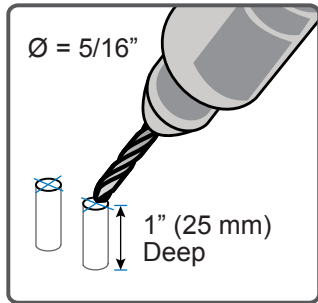


INSTALLATION (CONTINUED)

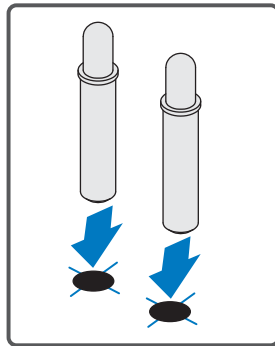
With the windows in the closed position, mark the placement for the Jambs (for Models D1040 and D1041) and Retractable Guides. Remove the windows to install.



3. Install Retractable Guides

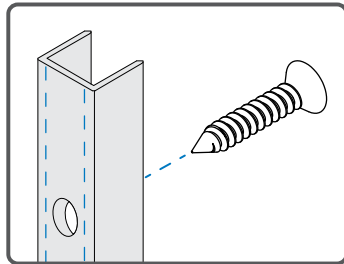


Drill 1" (25 mm) depth holes with 5/16" drill bit.

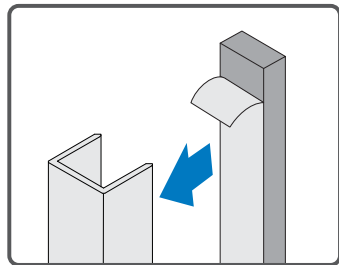


Insert Guides in holes.

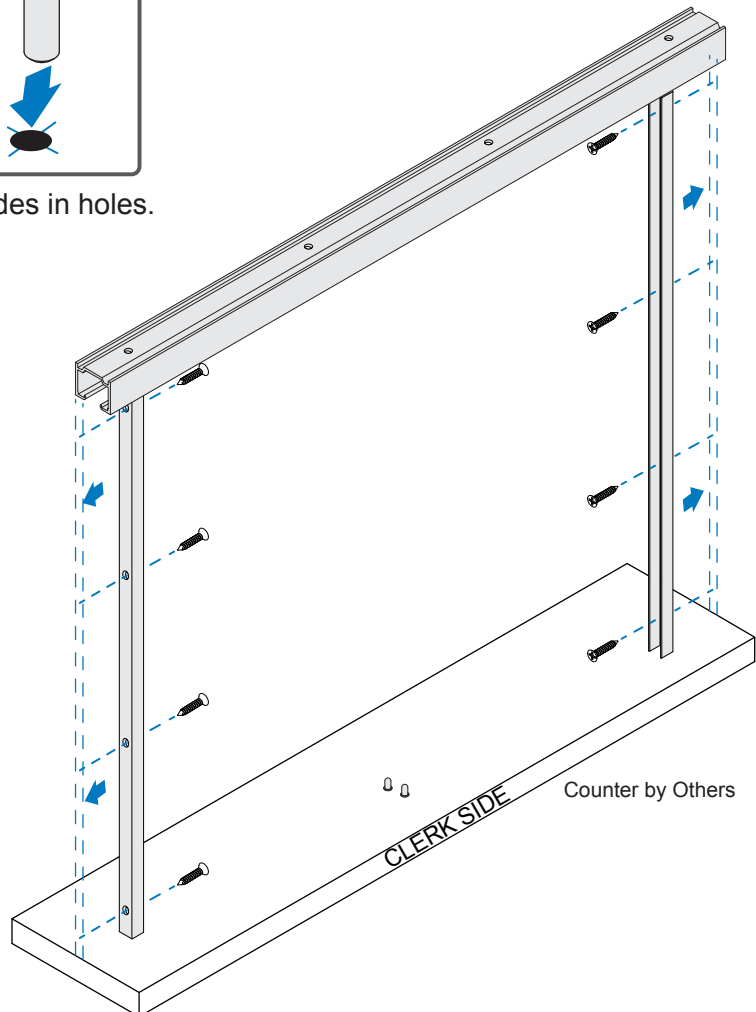
4. Install Optional Jambs



Secure using fasteners appropriate for the surrounding substrate.

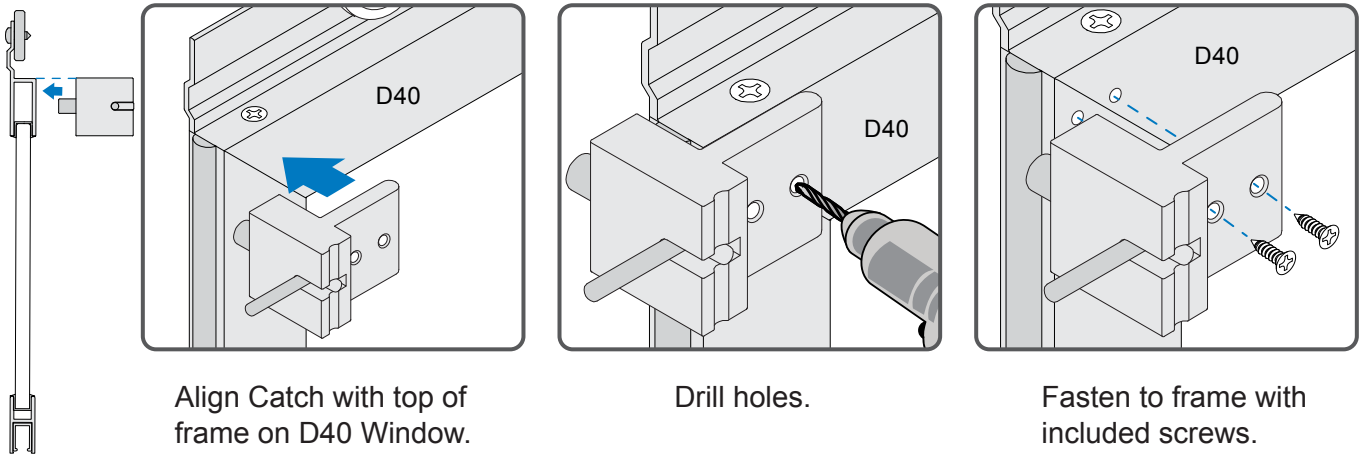


Remove backing and install Rubber Insert.

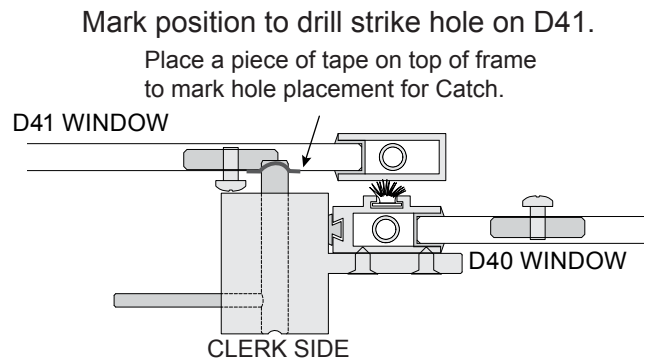
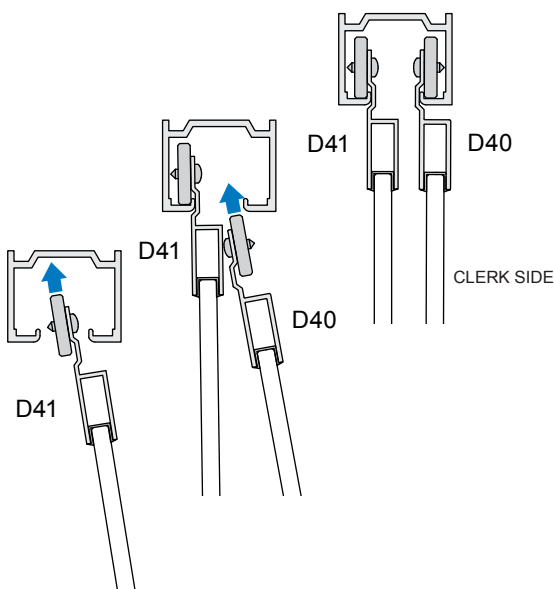


INSTALLATION (CONTINUED)

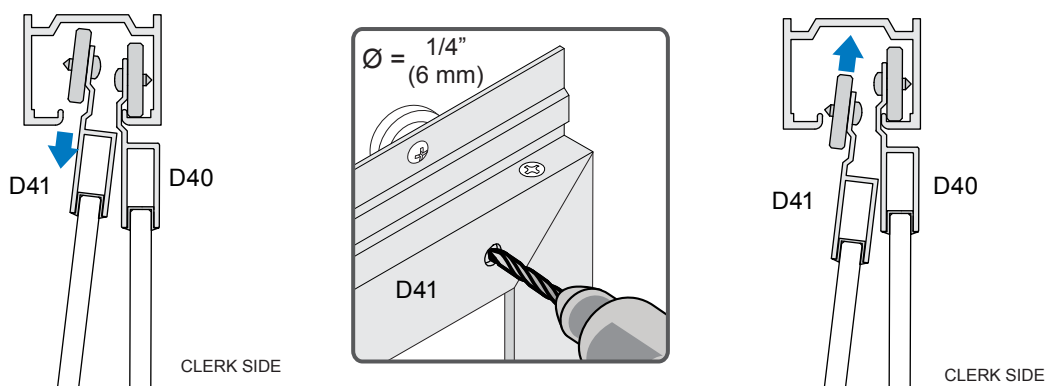
5. Install D52 Catch



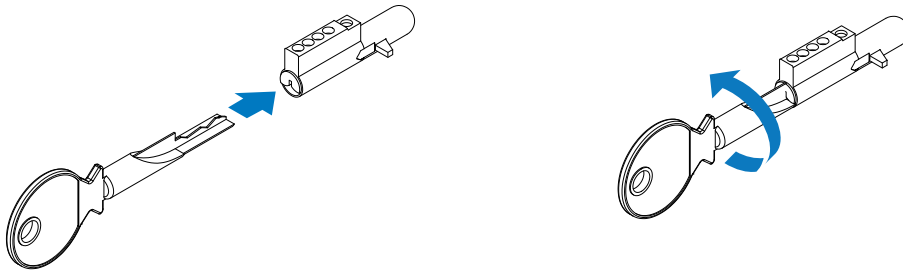
Reinstall windows and slide to closed position.



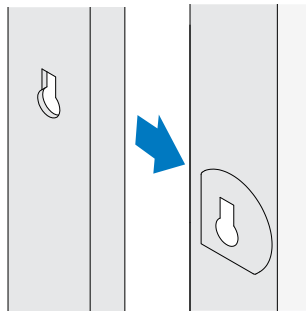
Remove Rear Window to drill 1/4" (6 mm) hole, and then reinstall.



OPTIONAL KEYED LOCK OPERATION

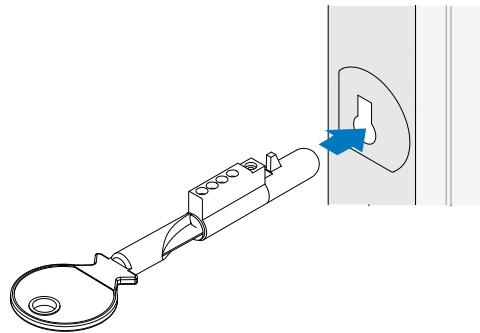


Insert Key into Lock Cylinder and turn to unlock.

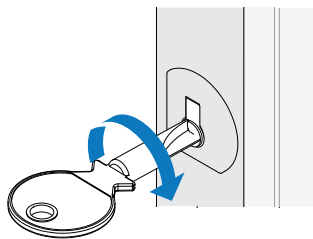


Sliding Frame Jamb

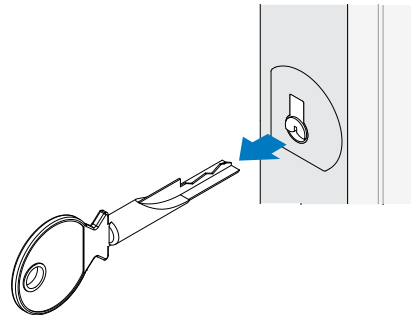
Align Sliding Frame and Jamb.



Insert Key and Cylinder.



Turn to locked position.



Remove Key.